



OM PACK

A Unit of Om Metals Infraprojects Ltd

About the Group



Om Kothari Group, established in 1971, is a highly reputed business house with diversified business interests across various platforms including Infrastructure, Engineering Construction, Automotive Dealerships, Real Estate and Packaging.

The group's flagship company, Om Metals Infraprojects Ltd. is a public limited engineering construction company specialized in executing turnkey contracts for large infrastructure projects covering power, roads, water, irrigation, real estate and oil & gas.

The organization is run by a synergetic team of high achievers who hold the highest ethical standards for all stakeholders. Each one of Om's business models is focused on creating a strong and sturdy foundation that allows appreciable growth and has a positive impact on our world.

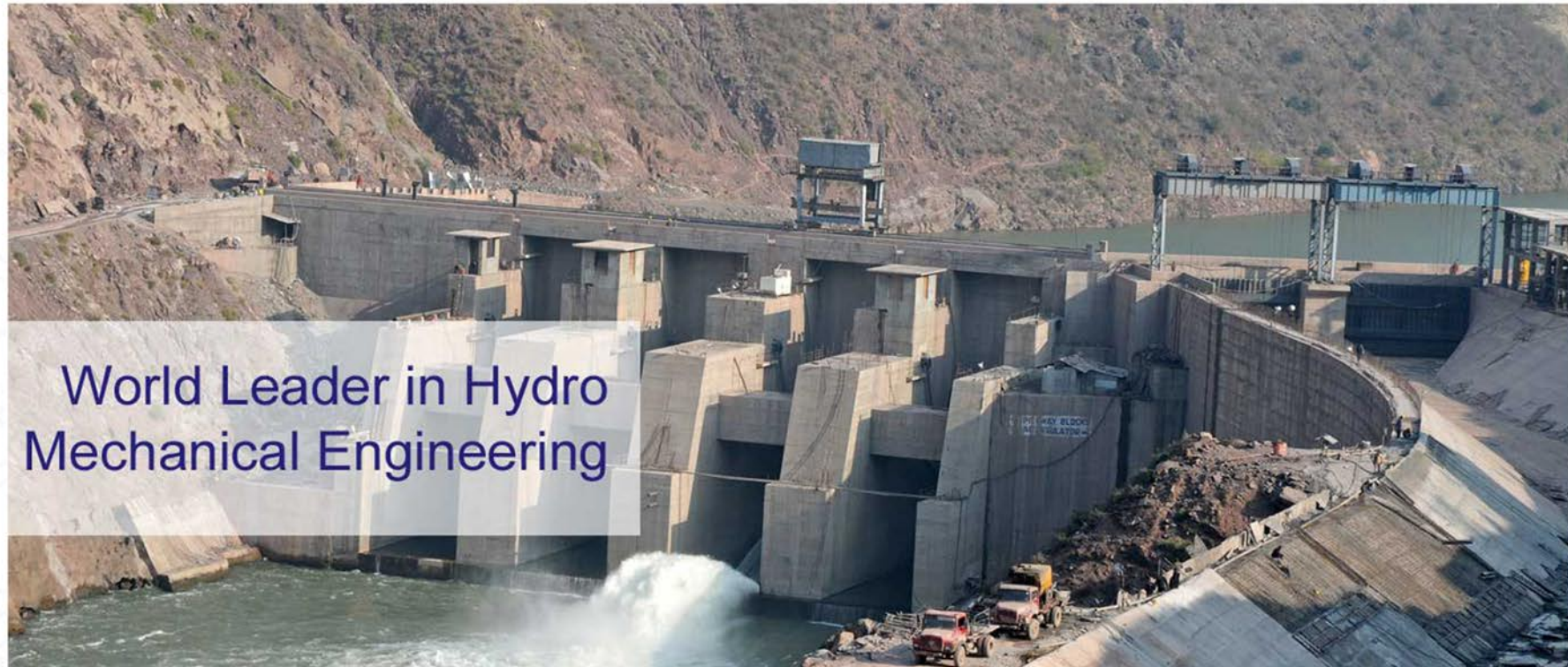
We are listed on BSE and NSE with group net worth of more than Rupees 100 Billion and group revenue of more than Rupees 50 Billion. We are a fast growing company with branches spread all over India and employee strength of more than 1500 people.



Other Businesses



The company has over 40 years of proven track record in its businesses. We have executed more than 60 infrastructure projects valued more than Rupees 150 Billion across the country and abroad.



World Leader in Hydro
Mechanical Engineering



Other Businesses



Om group has successfully established itself into the real estate sector. The most popular and credit worthy are its landmark projects, which have changed the skyline of the cities they have been constructed in. Our proud properties include : Om Cineplex in Kota, Om Towers & Pallacia in Jaipur, Rajasthan, Hyderabad and Mumbai.



Pallacia is the Most Premium Real Estate project in Jaipur



Other Businesses



Group entity Om Metals Auto owns a chain of dealership networks and services in Jaipur, Ajmer and Sikar. We believe in building life-long relationships and therefore follow a customer centric approach to set up processes and build people who are able to work in synergy to achieve the highest level of customer satisfaction before and after sale.



Other Businesses



OM KOTHARI GROUP OF EDUCATIONAL INSTITUTES

Established in the year 1995, Om Kothari Institute of Management & Research has since been serving the industry by producing skilled, driven and energetic professionals, and offering technical assistance simultaneously through Consultancy, Projects and Management Development Programs. The collective efforts of all the concerned regular and visiting faculties with national, international credentials, latest courseware & various educational aids have made it a state of the art facility that strives for excellence.



About Om Pack



Om Pack is a state of the art manufacturing facility known for producing 28MM TWO PIECES PP CAP PC1881 CSD Closures and 27MM ONE PIECE HDPE CAP A27W1 Water closures.

- The ultra-modern plant is Strategically located at Faridabad,(NCR) Haryana.
- The Plant consists of the latest compression moulding technology derived from Sacmi Italy for both CSD & Water Closures.
- Water line 48 cavity cool plus CCM machine slitting and folding of 1500 Closures per minute.
- Two 32 cavity CSD Line for two piece closures with a capacity of 600 closures per minute each and total capacity of 1200 closures per minute.
- PMV Lining machine with capacity of 1600 closures per minute.
- Winmax 2000 is equipped with the latest high-speed printing machines and three coloured rotary pads, and has the capacity to print up to 2000 closures in three different colors.
- PP is used for CSD Closures & HDPE is used for water closures.
- Certificates applied for: ISO 9001 : 2015 and FSSC 22000 : 2011





48 Cavity CCM Machine for Water Line





Slitting & Folding Machine (FSM)



Om Pack - Setup



Two 32 Cavity CCM Machine for CSD Line



Om Pack - Setup



PMV Machine





Winmax 2000 Three Colours High Speed Printing Machine



Location of a Plant



Om Pack - Setup



Process Flow Diagram of 27MM ONE PIECE HDPE CAP A27W1 Water closures



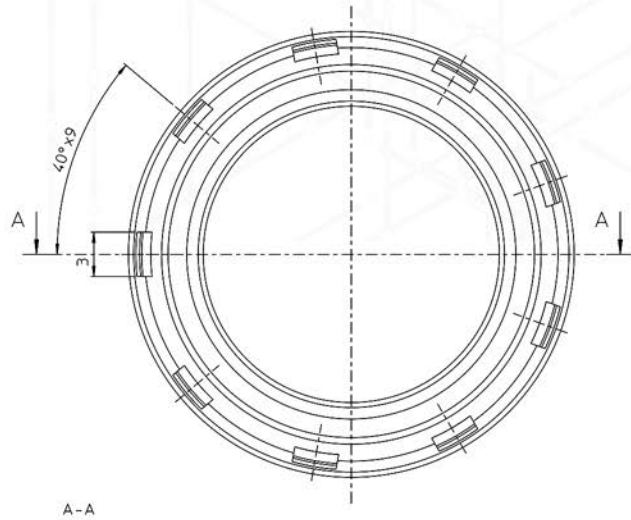
Om Pack - Setup



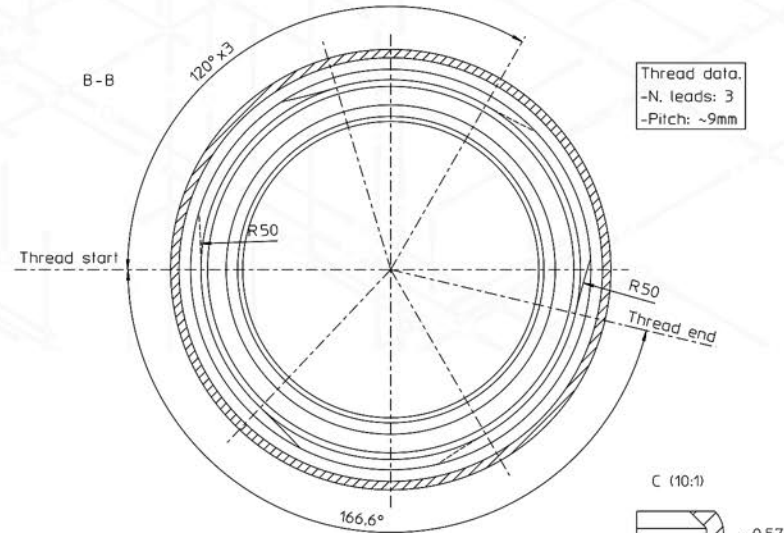
Process Flow Diagram of 28MM TWO PIECES PP CAP PC1881 CSD Closure



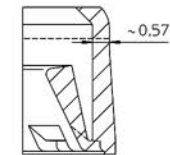
27MM ONE PIECE HDPE CAP A27W1 Closure Design



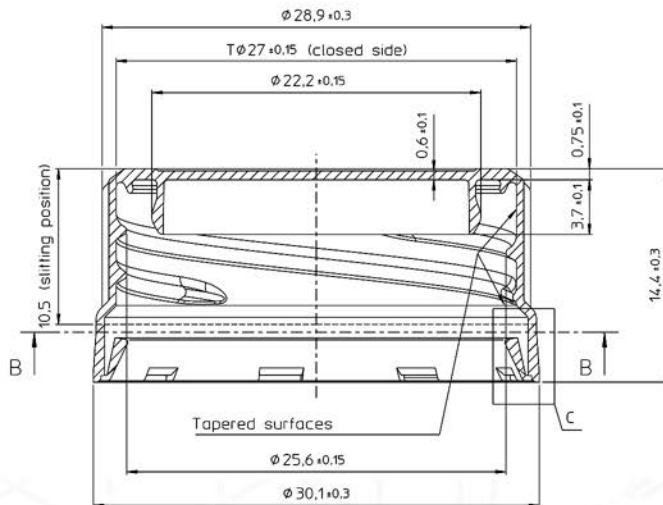
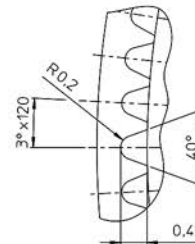
A-A



C (10:1)



Knurled detail (20:1)



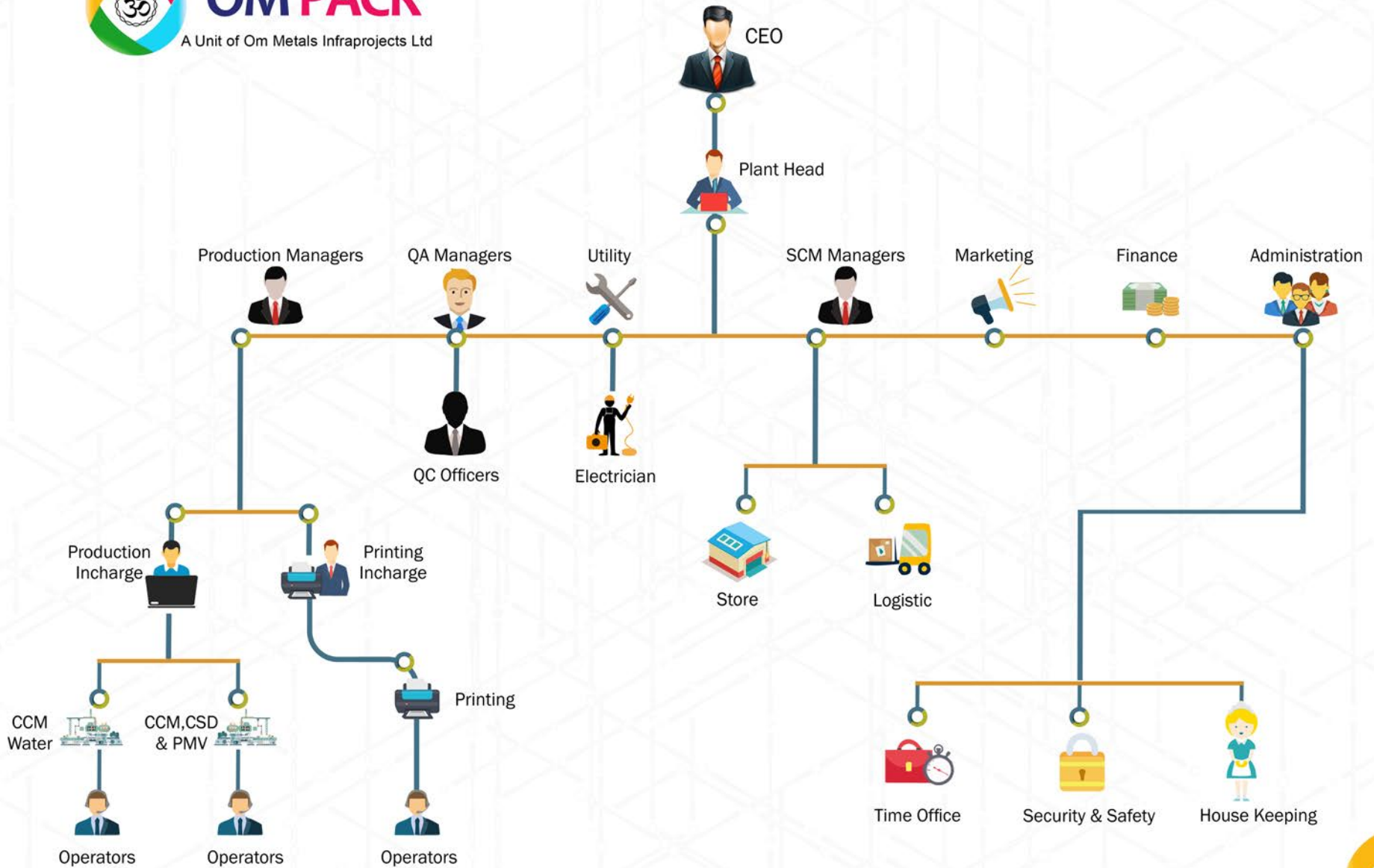
Dimensions without tolerance are indicative and not binding.

Plug dimension measured with Optical Machine.
Other dimensions measured with Coordinate Measuring Machine.

POS.	CODE / Code	DI.	MATERIALE / Material	STATO / State	OPERAZIONE GRIGEE - OPERAZIONE - NOTE	13	14
TRATTAMENTI TERMICI / Thermal treatments		TRATTAMENTO SUPERFICIALE / Surface treatment		TOLLERANZE GENERALI PER FACILITAZIONE General Tolerances for Facilitation		11	12
DIM. / Dim. mm		MATERIALE / Material		TOLLERANZE TRONCHI / Groove Tolerances		9	10
MATERIALE / Material		MATERIALE / Material		TOLLERANZE TRONCHI / Groove Tolerances		7	8
MATERIALE / Material		MATERIALE / Material		TOLLERANZE TRONCHI / Groove Tolerances		5	6
MATERIALE / Material		MATERIALE / Material		TOLLERANZE TRONCHI / Groove Tolerances		3	4
MATERIALE / Material		MATERIALE / Material		TOLLERANZE TRONCHI / Groove Tolerances		1	2



Our Organisation



Lab Facilities



OM Pack has very stringent quality control systems and has installed double CVS cameras in machines to eliminate all possible defects in production.

Our laboratory is equipped with latest testing equipments to facilitate required test of raw materials and final products of every batch.

We have applied for following certifications:

- ISO 9001 : 2015
- FSSC 22000 : 2011



Lab Equipments



OM PACK

A Unit of Om Metals Infraprojects Ltd

List Of Lab Equipments

Sr. No.	Name Of Instrument	Where to be Used
1	Vernier Callipers	Closure Dimension Check & m/c use
2	Vernier Callipers	
3	Micrometer	
4	Height Guage	Closure Dimension Check
5	Dail Guage	
6	Surface Plate	
7	GO NO GO Guage(For Knurl Dia, Te Band Dia, Height)	
8	Weighing Balance	Closure & Liner Weight
9	MFI Tester	Incoming Raw material checking
10	Specific Gravity Balance	
11	Shore Hardnes Tester A	
12	Shore Hardnes Tester D	
13	Ball Impact Tester	Closure Testing
14	Bottle Drop Tester	Closure Testing
15	ILLUMINATED Magnifying glass	Clos & Liner Inspection
16	Hot Air Oven	Closure Testing
17	Digital Timer 999Hrs	Closure Testing
18	BOD Incubator	Closure Testing
19	Vibration Tester	Closure Testing
20	Computerised Tensile Tester	Closure Testing
21	Secure Seal Tester	Closure Testing
22	Cutt-Off Tool, 28mm for PET bottles	Neck Finish Cutting
23	Spring Torque Tester	Closure Testing
24	Carbonation Retention Tester	Closure Testing
25	Torque Wrench	For customer end capper head setting
26	Tpo Load Tester	
27	Single head capping machine	Closure capping testing
28	Top load device to put a load of 45.5kg on capped bottles	Closure Testing
29	Brusting Strength	C. Box Testing
30	Digital Weighing Balance	Misc.Use
31	Day light Chamber	Closure Shade Check
32	Thermometer	Temp Check



OM PACK

Address



OM PACK

(A Unit of Om Metals Infraprojects Ltd.)

Mr. Vikas Kothari

Mobile No: +91 9811068101

Email : md@ompack.co.in

12/1 Main Mathura Road Faridabad - 121003 Haryana



OM PACK